

## Electric boiler with flow-through technology

- Independent heat source or additional heat source for heat pump systems.
- Can be connected to many heating systems.
- For detached houses as well as terraced houses, blocks of flats and industrial properties.
- Electrical resistors and control unit.
- Does not include hot water tank.
- Works with flow-through technology and requires an external circulating water pump that circulates water in the boiler.
- 15 stage control system.



The Jäspi FIL SPL electric boiler can operate as an independent heat source or it can be connected to heat pump systems as a source of backup and additional heat.

Jäspi FIL SPL is suitable for terraced houses, apartment buildings and industrial properties.

FIL SPL consists of electric heaters and a control unit and does not include a hot water tank. FIL works with flow-through technology and requires an external circulating water pump that circulates water in the boiler.

Technical information 500 - 1600	
<b>Electrical information</b>	
Rated voltage	400 V 3 AC 50 Hz
Control unit voltage (internally connected)	230 V 1 N AC 50 Hz +/- 10 %
Secondary current of Jäspi current transformers	0 - 1 A
Secondary current of primary current transformers	0 - 5 A
IP class	IP 20
<b>Power steps</b>	
Models 500 - 1600	15 steps
<b>General</b>	
Ambient temperature	5...35 °C
Max temperature	110 °C
Max pressure	10 bar
Operating temp. (electric boiler)	30-99 °C
<b>Pipe connections</b>	
Models 500 - 1600	DN 125
<b>Volume</b>	
Models 500 - 800	480 l
Models 800 - 1200	750 l
Models 1200 - 1600	1000 l
<b>Weight</b>	
Models 500 - 800	480 kg
Models 800 - 1200	750 kg
Models 1200 - 1600	1350 kg

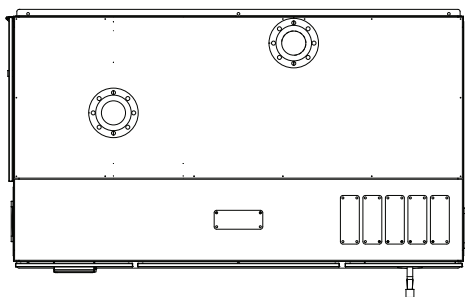
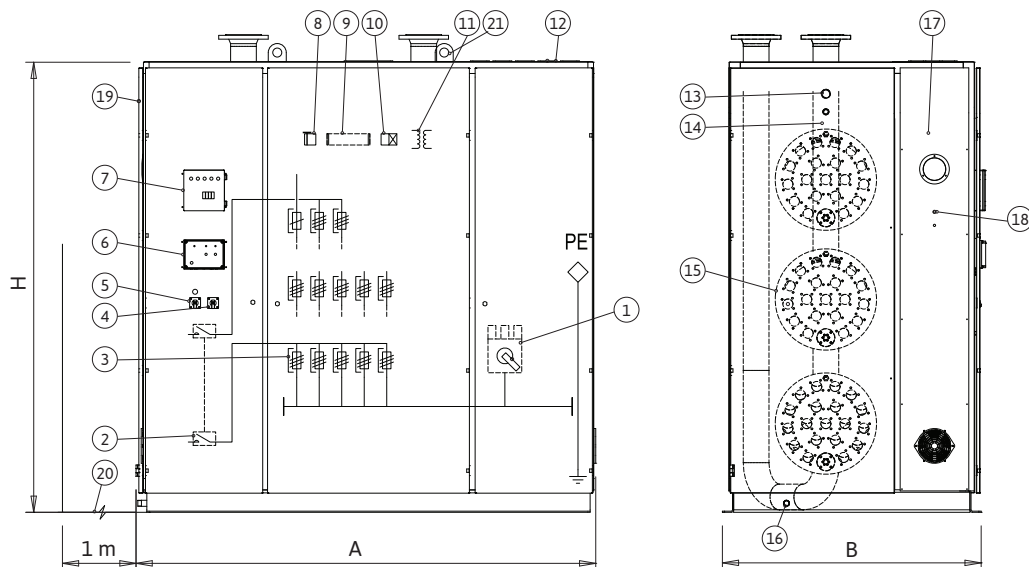
Power	Recommended fuse
500 kW	2 x (3 x 500) A
600 kW	2 x (3 x 630) A
700 kW	2 x (3 x 630) A
800 kW	3 x (3 x 500) A
900 kW	3 x (3 x 630) A
1000 kW	3 x (3 x 630) A
1200 kW	4 x (3 x 630) A
1500 kW	6 x (3 x 500) A
1600 kW	6 x (3 x 500) A

Accessories	Code
Outdoor temp sensor	M01027
Current transformers	M01026

Other accessories from our sale.

# Jäspi FIL SPL

## FIL SPL 500-1600



1. Main safety switch (AB + disconnector + shutdown command)
2. Power stage contactors
3. Power stage fuses
4. Heating / backup heating switch
5. Control voltage switch
6. Anti-boiling protection unit
7. Control unit / circuit board
8. Backup heating thermostat
9. Terminal blocks
10. Time relay
11. Control voltage transformer
12. Electrical leads
13. Anti-boiling protection sensor
14. Temperature sensors (limiter and thermostat)
15. Electric heating elements
16. Drain sleeve DN15
17. Temperature gauge
18. Thermostat / limiter
19. Door for maintenance of heating elements
20. Space for maintenance of heating elements
21. Lifting lug

Model	Measurements A x B x H
500...800	2000 x 1150 x 1800 mm
800...1200	2000 x 1150 x 2000 mm
1200...1600	2000 x 1150 x 2400 mm

## Circuit diagram L000662

Jäspi FIL SPL + Akva Pro

