

**J | Ä | S | P | I**®



User manual  
**JÄSPI Inverter Nordic**  
**8, 12, 16, 20**  
Air/water heat pump

UHB EN 1817-2  
331844



# Table of Contents

<b>1</b>	<b><i>Important information</i></b>	<b>4</b>
	Installation data	4
	Safety information	5
	Symbols	6
	Marking	6
	Serial number	7
	JÄSPI Inverter Nordic – An excellent choice	7
<b>2</b>	<b><i>The heat pump – the heart of the house</i></b>	<b>9</b>
	Heat pump function	9
	Control of JÄSPI Inverter Nordic	11
	Maintenance of JÄSPI Inverter Nordic	12
<b>3</b>	<b><i>Disturbances in comfort</i></b>	<b>19</b>
	Troubleshooting	19
		19
<b>4</b>	<b><i>Technical data</i></b>	<b>20</b>
<b>5</b>	<b><i>Glossary</i></b>	<b>21</b>
	<b><i>Item register</i></b>	<b>25</b>

# 1 Important information

## Installation data

Product	JÄSPI Inverter Nordic
Serial number	
Installation date	
Installer	

*Serial number must always be given.*

Certification that the installation is carried out according to instructions in Kaukora's installer manual and applicable regulations.

Date \_\_\_\_\_ Signed \_\_\_\_\_

## Safety information

This appliance can be used by children aged from 8 years and above and persons with reduced physical, sensory or mental capabilities or lack of experience and knowledge if they have been given supervision or instruction concerning use of the appliance in a safe way and understand the hazards involved. The product is intended for use by experts or trained users in shops, hotels, light industry, farming and similar environments.

Children must be instructed/supervised to ensure that they do not play with the appliance.

Do not allow children to clean or maintain the appliance unsupervised.

This is an original manual. It may not be translated without the approval of Kaukora.

Rights to make any design or technical modifications are reserved.

JÄSPI Inverter Nordic must be installed via an isolator switch with a minimum breaking gap of 3 mm.

If the supply cable is damaged, only Kaukora, its service representative or similar authorised person may replace it to prevent any danger and damage.

## Symbols



### **NOTE**

This symbol indicates danger to person or machine .



### **Caution**

This symbol indicates important information about what you should observe when maintaining your installation.



### **TIP**

This symbol indicates tips on how to facilitate using the product.

## Marking

**CE** The CE mark is obligatory for most products sold in the EU, regardless of where they are made.

**IP24** Classification of enclosure of electro-technical equipment.



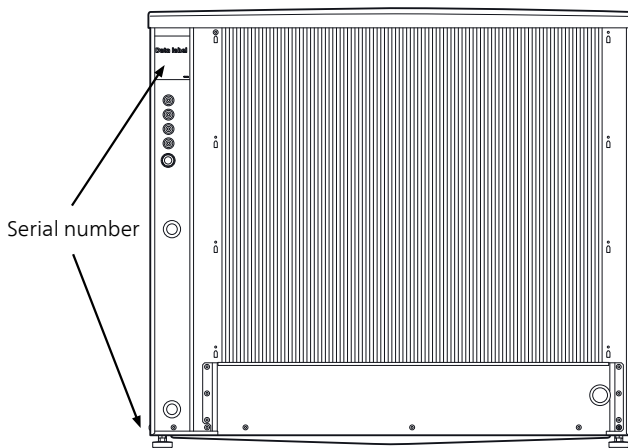
Danger to person or machine.



Read the User Manual.

## Serial number

The serial number can be found at the top left on the rear cover and at the bottom on the side.



### Caution

You need the product's (14 digit) serial number for servicing and support.

## JÄSPI Inverter Nordic – An excellent choice

JÄSPI Inverter Nordic is an air/water heat pump, specially designed for the Nordic climate, which uses the outdoor air as its energy source.

The heat pump is intended for connection to water borne heating systems and can both heat hot water effectively at high outdoor temperatures and give a high output to the heating system at low outdoor temperatures.

If the outdoor temperature drops to a level below the stop temperature all heating must then occur with external additional heat.

### Excellent properties for JÄSPI Inverter Nordic:

- **Efficient speed-controlled scroll compressor**

Efficient speed-controlled scroll compressor that operates at temperatures down to -25 °C.

- **Intelligent control**

JÄSPI Inverter Nordic connected to intelligent control for optimum control of the heat pump.

- **Fan**

JÄSPI Inverter Nordic has automatic capacity regulation of the fan.

- **Long service life**

The material has been chosen for a long service life and is designed to withstand the Nordic outdoor conditions.

- **Many possibilities**

JÄSPI Inverter Nordic is intended for combination with the indoor module JÄSPI Theowatti Air / control module JÄSPI\_MCU40. There is a wide range of system solutions and accessories for indoor modules and control modules.

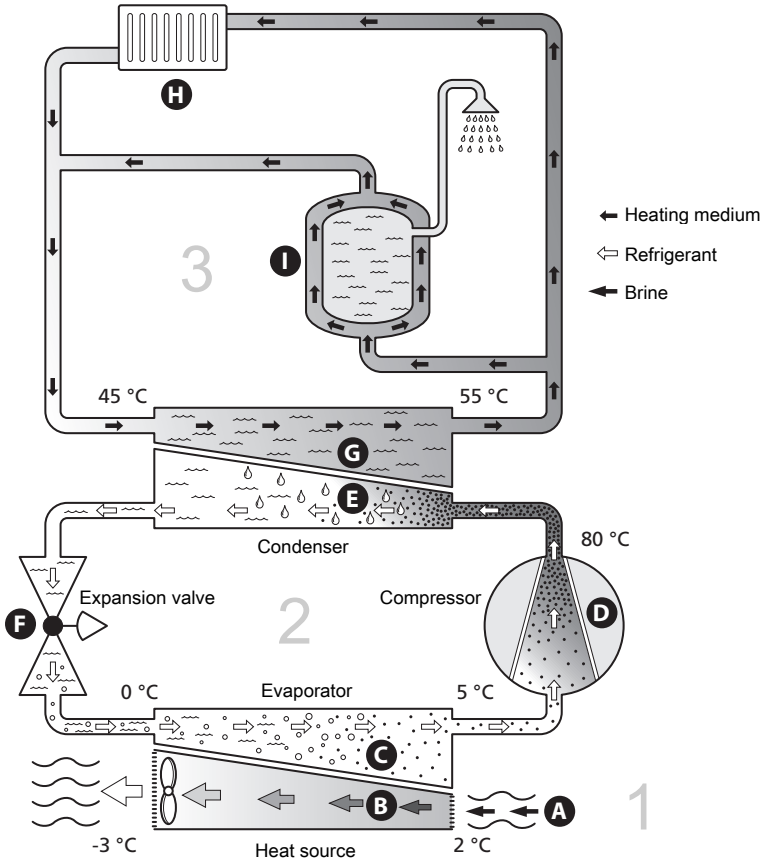
- **Silent operation**

JÄSPI Inverter Nordic has a silent operation function that allows scheduling when JÄSPI Inverter Nordic must operate at an even quieter noise level.



# 2 The heat pump – the heart of the house

## Heat pump function



The temperatures are only examples and may vary between different installations and time of year.

An air/water heat pump can use the outdoor air to heat up a home. The conversion of the outdoor air's energy to residential heating occurs in three different circuits. In the brine circuit (1), free heat energy is retrieved from the surroundings and transported to the heat pump. The heat pump increases the retrieved heat's low temperature to a high temperature in the refrigerant circuit, (2). The heat is distributed around the building by the heating medium circuit (3).

*Outdoor air*

- A** The outdoor air is sucked into the heat pump.
- B** The fan then routes the air to the heat pump's evaporator. Here, the air releases the heating energy to the refrigerant and the air's temperature drops. The cold air is then blown out of the heat pump.

*Refrigerant circuit*

- C** A gas circulates in a closed system in the heat pump, a refrigerant, which also passes the evaporator. The refrigerant has a very low boiling point. In the evaporator the refrigerant receives the heat energy from the outdoor air and starts to boil.
- D** The gas that is produced during boiling is routed into an electrically powered compressor. When the gas is compressed, the pressure increases and the gas's temperature increases considerably, from 5 °C to approx. 80 °C.
- E** From the compressor, gas is forced into a heat exchanger, condenser, where it releases heat energy to the heating system in the house, whereupon the gas is cooled and condenses to a liquid form again.
- F** As the pressure is still high, the refrigerant can pass an expansion valve, where the pressure drops so that the refrigerant returns to its original temperature. The refrigerant has now completed a full cycle. It is routed to the evaporator again and the process is repeated.

*Heat medium circuit*

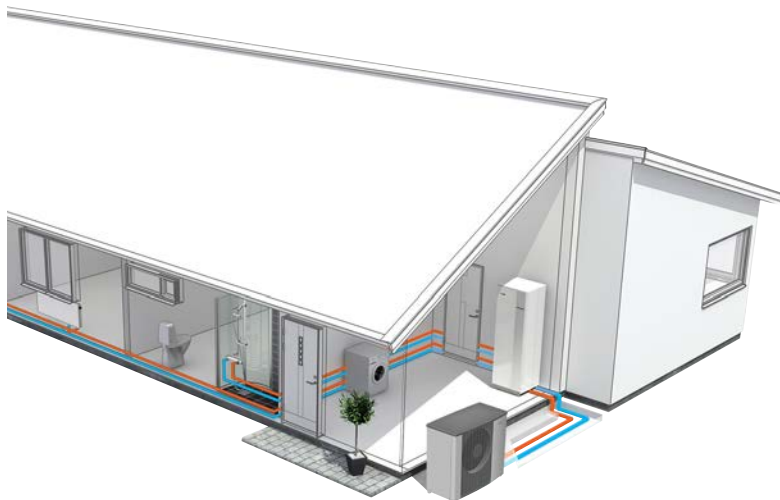
- G** The heat energy that the refrigerant produces in the condenser is retrieved by the climate system's water, heating medium, which is heated to 55 °C (supply temperature).
- H** The heating medium circulates in a closed system and transports the heated water's heating energy to the house water heater and radiators/heating coils.

The temperatures are only examples and may vary between different installations and time of year.

## Control of JÄSPI Inverter Nordic

The heat pump is controlled in various ways depending on your system. You control the heat pump via your indoor module JÄSPI Theowatti Air or control module JÄSPI\_MCU40. See the relevant manual for more information.

During installation, the installation engineer adjusts the necessary settings for the heat pump in the indoor module or control module, so that the heat pump works optimally in your system.



# Maintenance of JÄSPI Inverter Nordic

## Regular checks

When your heat pump is located outdoors some external maintenance is required.



### NOTE

Insufficient maintenance can cause serious damage to JÄSPI Inverter Nordic, which is not covered by the guarantee.

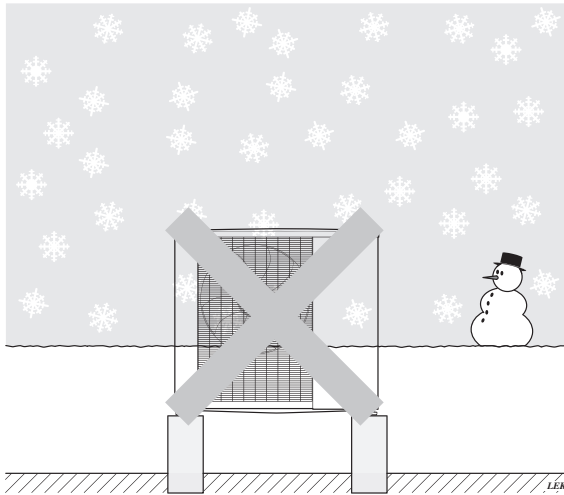
### ***Checking grilles and bottom panel on JÄSPI Inverter Nordic***

Regularly check throughout the year that the grille is not clogged by leaves, snow or anything else.

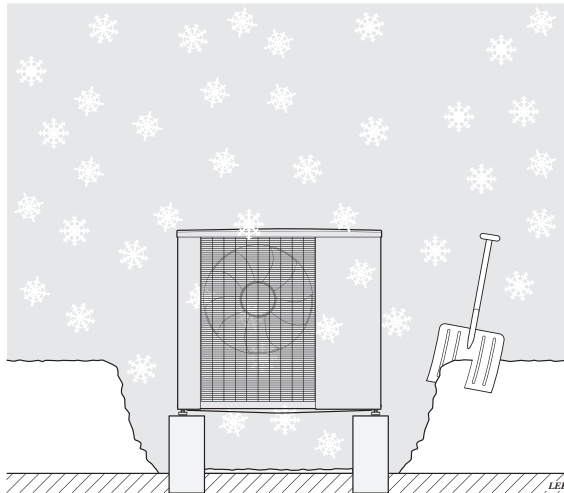
You should be vigilant during windy conditions and/or in the event of snow as the grille can become blocked.

Regularly check that condensation is routed away correctly through the condensation pipe. Ask your installer for assistance if required.

## Keep free of snow and ice



Prevent snow from building up and covering the grilles and drain holes on JÄSPI Inverter Nordic.



Keep free of snow and/or ice.

### ***Cleaning the outer casing***

If necessary the outer casing can be cleaned using a damp cloth.

Care must be exercised so that the heat pump is not scratched when cleaning. Avoid spraying water into the grilles or the sides so that water penetrates into JÄSPI Inverter Nordic. Prevent JÄSPI Inverter Nordic coming into contact with alkaline cleaning agents.

### **In event of long power cuts**

In the event of prolonged power failures it is recommended that the part of the heating system located outdoors is drained. Your installer has installed a shut off and drain valve to facilitate this. Call and ask your installer if you are unsure.

### **Silent mode**

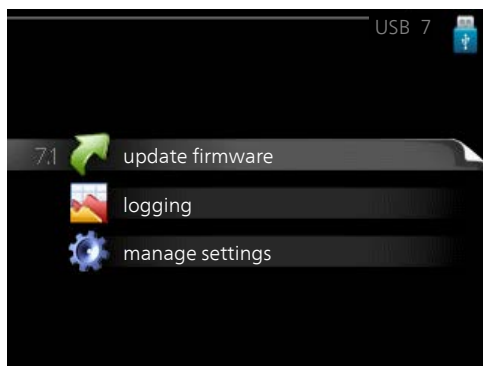
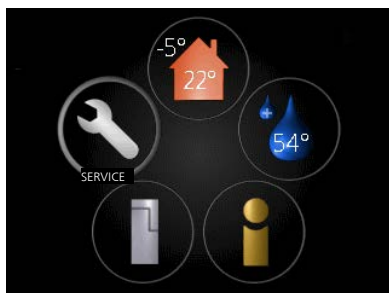
The heat pump can be set to "silent mode", which reduces the heat pump's noise level. The function is useful when JÄSPI Inverter Nordic must be placed in noise sensitive areas. The function should only be used for limited periods as JÄSPI Inverter Nordic may not reach its dimensioned output.

## Updating the software in JÄSPI Inverter Nordic via the control module or indoor module

The latest software for both JÄSPI Inverter Nordic and the indoor module/control module can be found at [www.myupway.com](http://www.myupway.com).

Click the "Software" tab to download the latest software for your installation.

Save the files to a USB memory. Update JÄSPI Inverter Nordic and the indoor module/control module at the same time.



In menu 7.1 on the indoor module/control module, the following software updates can be performed:

- Software for the indoor module (JÄSPI Tehowatti Air) or control module (JÄSPI MCU40)
- Software for outdoor module JÄSPI Inverter Nordic

**Caution**

Software for the indoor/control module must be updated when software for outdoor module JÄSPI Inverter Nordic is updated.

**Caution**

It can take up to 30 minutes to update the software for JÄSPI Inverter Nordic.

**Caution**

Restart the indoor module/control module to see the correct version number of the software.

For cascade installation, together with JÄSPI MCU40, all JÄSPI Inverter Nordic will be updated in the address order. Deactivate the JÄSPI Inverter Nordic that are not to be updated.

More detailed information about updating software via USB can be found in the installer manual for your indoor module or control module.

## Saving tips

Your heat pump installation produces heat and cooling and/or hot water. This occurs via the control settings you made.

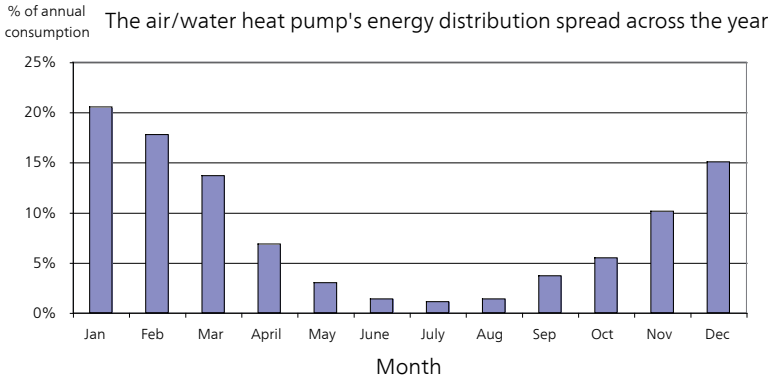
Factors that affect the energy consumption are, for example, indoor temperature, hot water consumption, the insulation level of the house and whether the house has many large window surfaces. The position of the house, e.g. wind exposure is also an affecting factor.

Also remember:

- Open the thermostat valves completely (except in the rooms that are to be kept cooler for various reasons, e.g. bedrooms). The thermostats slow the flow in the heating system, which the heat pump wants to compensate with increased temperatures. It then works harder and consumes more electrical energy.
- Reduce or adjust the settings for heating in any external control systems.



## Power consumption



Increasing the indoor temperature one degree increases power consumption by approx. 5%.

## Domestic electricity

In the past it has been calculated that an average Swedish household has an approximate annual consumption of 5000 kWh domestic electricity/year. In today's society it is usually between 6000-12000 kWh/year.

Equipment	Normal Output (W)		Appr. ann. consumption (kWh)
	Operation	Standby	
TV (Operation: 5 h/day, Standby: 19 h/day)	200	2	380
Digital box (Operation: 5 h/day, Standby: 19 h/day)	11	10	90
DVD (Operation: 2 h/week)	15	5	45
TV games console (Operation: 6 h/week)	160	2	67
Radio/stereo (Operation: 3 h/day)	40	1	50
Computer incl. screen (Operation: 3 h/day, standby 21 h/day)	100	2	120
Bulb (Operation 8 h/day)	60	-	175
Spot light, Halogen (Operation 8 h/day)	20	-	58
Cooling (Operation: 24 h/day)	100	-	165

Equipment	Normal Output (W)		Appr. ann. consumption (kWh)
Freezer (Operation: 24 h/day)	120	-	380
Stove, hob (Operation: 40 min/day)	1500	-	365
Stove, oven (Operation: 2 h/week)	3000	-	310
Dishwasher, cold water connection (Operation 1 time/day)	2000	-	730
Washing machine (Operation: 1 times/day)	2000	-	730
Tumble drier (Operation: 1 times/day)	2000	-	730
Vacuum cleaner (Operation: 2 h/week)	1000	-	100
Engine block heater (Operation: 1 h/day, 4 months a year)	400	-	50
Passenger compartment heater (Operation: 1 h/day, 4 months a year)	800	-	100

These values are approximate example values.

Example: A family with 2 children live in a house with 1 flat-screen TV, 1 digital box, 1 DVD player, 1 TV games console, 2 computers, 3 stereos, 2 bulbs in the WC, 2 bulbs in the bathroom, 4 bulbs in the kitchen, 3 bulbs outside, a washing machine, tumble drier, fridge, freezer, oven, vacuum cleaner, engine block heater = 6240 kWh domestic electricity/year

### Energy meter

Check the accommodation's energy meter regularly, preferably once a month. This will indicate any changes in power consumption.

Newly built houses usually have twin energy meters, use the difference to calculate your domestic electricity.

### New builds

Newly built houses undergo a drying out process for a year. The house can then consume significantly more energy than it would thereafter. After 1-2 years the heating curve should be adjusted again, as well as the offset heating curve and the building's thermostat valves, because the heating system, as a rule, requires a lower temperature once the drying process is complete.

# 3 Disturbances in comfort

## Troubleshooting



### NOTE

Work behind covers secured by screws may only be carried out by, or under the supervision of, a qualified installation engineer.



### TIP

JÄSPI Inverter Nordic communicates all alarms to the indoor module/control module (JÄSPI Tehowatti Air / JÄSPI MCU40).

### Basic actions

- Make sure that the air flow to JÄSPI Inverter Nordic is not blocked by foreign objects.
- Check that JÄSPI Inverter Nordic does not have any external damage.

### Ice build-up in the fan, grille and/or fan cone on JÄSPI Inverter Nordic

Contact your installer!

### Water below JÄSPI Inverter Nordic (larger amount)

Check that the water drainage via the condensation pipe (KVR 10) is working.

# 4 Technical data

Detailed technical specifications for this product can be found in the installation manual ([www.kaukora.fi](http://www.kaukora.fi)).

# 5 Glossary

## **Additional heat**

The additional heat is the heat produced in addition to the heat supplied by the compressor in your heat pump. Additional heaters can be for example, immersion heater, electric heater, solar power system, gas/oil/pellet/wood burner or district heating.

## **Ambient temperature sensor**

A sensor that is located outdoors on or close to the heat pump. This sensor tells the heat pump how hot it is where the sensor is located.

## **Balance temperature**

The balance temperature is the outdoor temperature when the heat pump's stated output is equal to the building's output requirement. This means that the heat pump covers the whole building's output requirement down to this temperature.

## **Charge coil**

A charge coil heats the domestic hot water (tap water) in the water heater with heating water (heating medium) from JÄSPI Inverter Nordic.

## **Charge pump**

See "Circulation pump".

## **Circulation pump**

Pump that circulates liquid in a pipe system.

## **Climate system**

Climate systems can also be called heating systems. The building is heated using radiators, under floor coils or convector fans.

## **Coil tank**

A heater with a coil in it. The water in the coil heats the water in the heater.

## **Compressor**

Compresses the gas state refrigerant. When the refrigerant is compressed, the pressure and the temperature increase.

## **Condenser**

Heat exchanger where the hot gas state refrigerant condenses (cooled and becomes a liquid) and releases heat energy to the house heating and hot water systems.

## **COP**

If a heat pump has COP of 5, this means that you only pay for a fifth of your heating demand. This is the efficiency of the heat pump. This is measured at different measurement values, e.g.:  $7 / 45$  where 7 stands for the outdoor temperature and where 45 stands for how many degrees the supply temperature is maintaining.

## **Disturbances in comfort**

Disturbances in comfort are undesirable changes to the hot water/indoor comfort, for example when the temperature of the hot water is too low or if the indoor temperature is not at the desired level.

A malfunction in the heat pump can sometimes be noticed in the form of a disturbance in comfort.

In most cases, the heat pump notes malfunctions and indicates this with alarms in the display.

## **Domestic hot water**

The water one showers in for example.

## **Double-jacketed tank**

A heater with domestic hot water (tap water) is surrounded by an outer vessel with boiler water (to the house radiators/elements). The heat pump heats the boiler water, which in addition to going out to the all the house radiators/elements, heats the domestic hot water in the inner vessel.

## **Efficiency**

A measurement of how effective the heat pump is. The higher the value is the better it is.

## **Electrical addition**

This is electricity that, for example, an immersion heater uses as addition during the coldest days of the year to cover the heating demand that the heat pump cannot manage.

## **Evaporator**

Heat exchanger where the refrigerant evaporates by retrieving heat energy from the air which then cools.

## **Expansion valve**

Valve that reduces the pressure of the refrigerant, whereupon the temperature of the refrigerant drops.

## **Expansion vessel**

Vessel with heating medium fluid with the task of equalising the pressure in the heating medium system.

## **Fan**

During heating operation, the fan transports energy from the ambient air to the heat pump. During cooling, the fan transports energy from the heat pump to the ambient air.

## **Flow pipe**

The line in which the heated water is transported from the heat pump out to the house heating system (radiators/heating coils).

## **Heat exchanger**

Device that transfers heat energy from one medium to another without mixing mediums. Examples of different heat exchangers include evaporators and condensers.

## **Heat factor**

Measurement of how much heat energy the heat pump gives off in relation to the electric energy it needs to operate. Another term for this is COP.

## **Heating medium**

Hot liquid, usually normal water, which is sent from the heat pump to the house climate system and makes the accommodation warm. The heating medium also heats the hot water.

## **Heating medium side**

Pipes to the house's climate system make up the heating medium side.

## **Pressostat**

Pressure switch that triggers an alarm and/or stops the compressor if non-permitted pressures occur in the system. A high pressure pressostat trips if the condensing pressure is too great. A low pressure pressostat trips if the evaporation pressure is too low.

## **Radiator**

Another word for heating element. They must be filled with water in order to be used with JÄSPI Inverter Nordic.

## **Refrigerant**

Substance that circulates around a closed circuit in the heat pump and that, through pressure changes, evaporates and condenses. During evaporation, the refrigerant absorbs heating energy and when condensing gives off heating energy.

## **Return pipe**

The line in which the water is transported back to the heat pump from the house heating system (radiators/heating coils).

## **Return temp**

The temperature of the water that returns to the heat pump after releasing the heat energy to the radiators/heating coils.

## **Safety valve**

A valve that opens and releases a small amount of liquid if the pressure is too high.

## **Shuttle valve**

A valve that can send liquid in two directions. A shuttle valve that enables liquid to be sent to the climate system, when the heat pump produces heating for the house, and to the hot water heater, when the heat pump produces hot water.

## **Silent mode**

A mode where the maximum level for the output is limited to achieve a noise reduction from the heat pump.

## **Supply temperature**

The temperature of the heated water sent by the heat pump to the heating system.

## **Water heater**

Container where domestic water is heated.



# 6 Item register

## **B**

Basic actions, 19

## **C**

Control module's function, 9

Control of JÄSPI Inverter Nordic, 11

## **D**

Disruptions to comfort

Basic actions, 19

Disturbances in comfort, 19

Troubleshooting, 19

## **G**

Glossary, 21

## **H**

Heat pump function, 10

## **I**

Ice build-up in the fan, grille and/or fan cone, 19

Important information, 4

Installation data, 4

JÄSPI Inverter Nordic – An excellent choice, 7

Safety information, 5

Serial number, 7

Symbols, 6

In event of long power cuts, 14

Installation data, 4

## **J**

JÄSPI Inverter Nordic – An excellent choice, 7

## **M**

Maintenance of JÄSPI Inverter Nordic, 12

In event of long power cuts, 14

Regular checks, 12

Saving tips, 16

Silent mode, 14

## **P**

Power consumption, 17

## **R**

Regular checks, 12

## **S**

Safety information, 5

Saving tips, 16

Power consumption, 17

Serial number, 7

Silent mode, 14

Symbols, 6

## **T**

Technical data, 20

The heat pump – the heart of the house, 9

Troubleshooting, 19

Ice build-up in the fan, grille and/or fan cone, 19

Water below JÄSPI Inverter Nordic (larger amount), 19

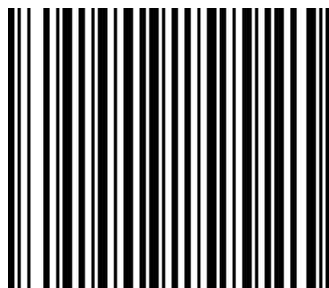
## **W**

Water below JÄSPI Inverter Nordic (larger amount), 19





Kaukora Oy  
PL 21, Tuotekatu 11  
212 01 Raisio  
+358 2 437 4600  
E-mail: [kaukora@kaukora](mailto:kaukora@kaukora)  
[www.kaukora.fi](http://www.kaukora.fi)



331844